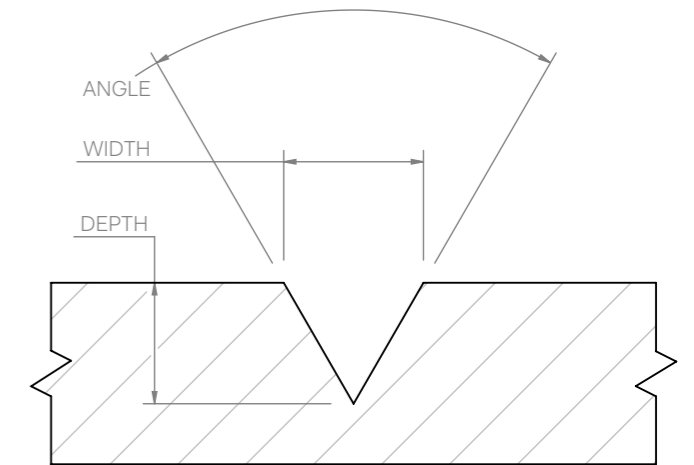
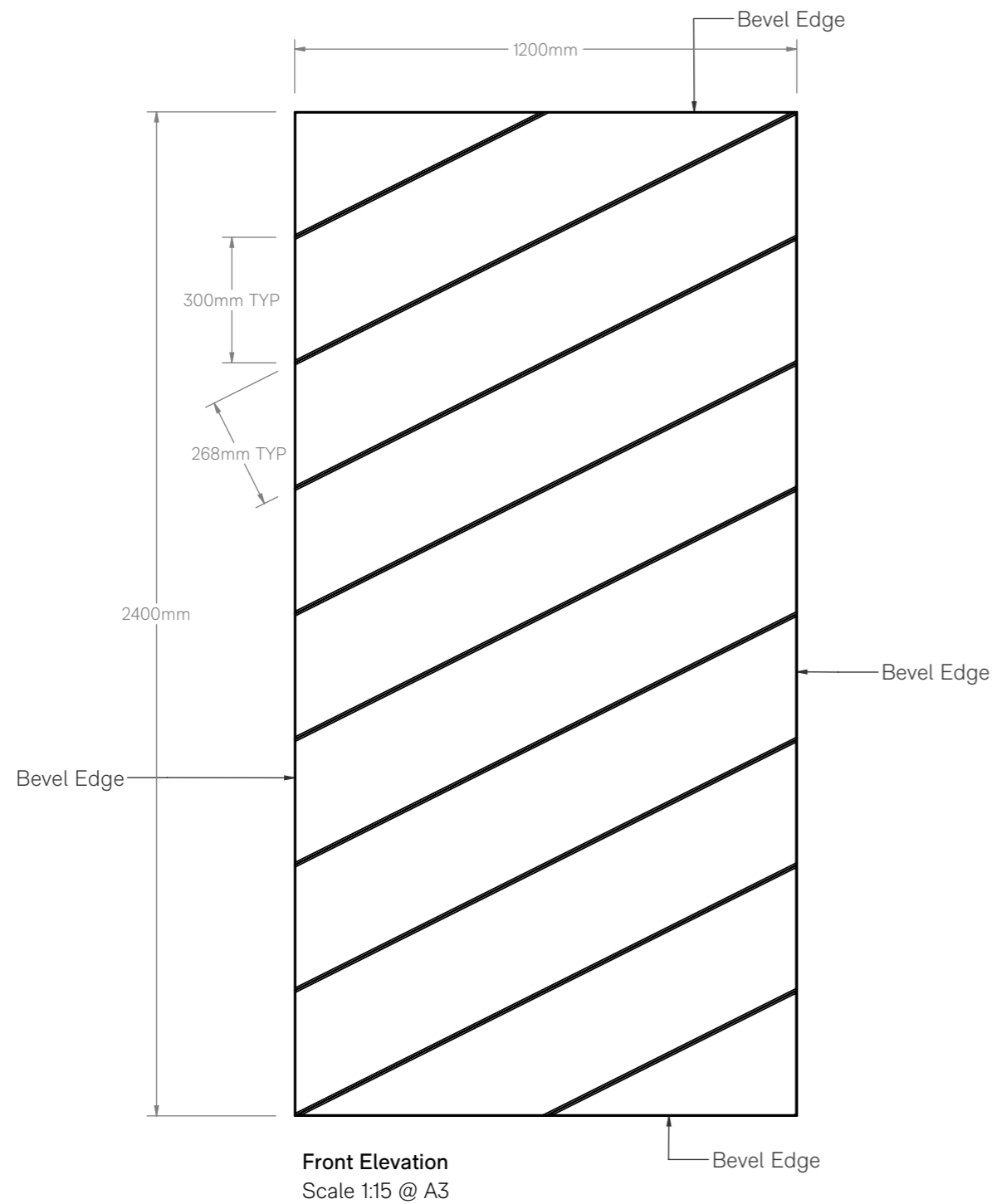


Groove Detail
Scale 2:1 @ A3

Use table below to help determine dimensions above.
Values missing from below table are not recommended

UNLESS OTHERWISE SPECIFIED ALL VEE GROOVES
TO BE 30 DEG, AT 8mm DEEP. AS HIGHLIGHTED ON
TABLE

		ANGLE (deg)			
		12	30	60	90
DEPTH (mm)	1				
	2			2.4	4.1
	3			3.6	6.2
	4			4.8	8.3
	5		2.9	6.0	10.4
	6		3.4	7.2	12.4
	7		4.0	8.4	14.5
	8		4.6	9.6	16.6
	9		5.2	10.8	18.6
	10		5.7	12.0	20.7
	11	2.3	6.3	13.2	22.8
		WIDTH			

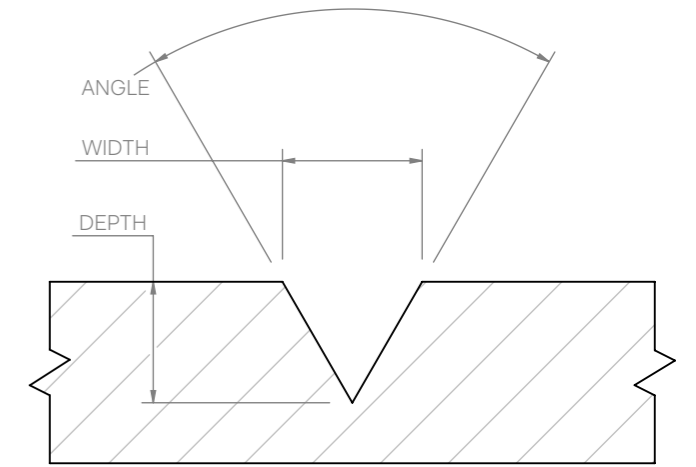
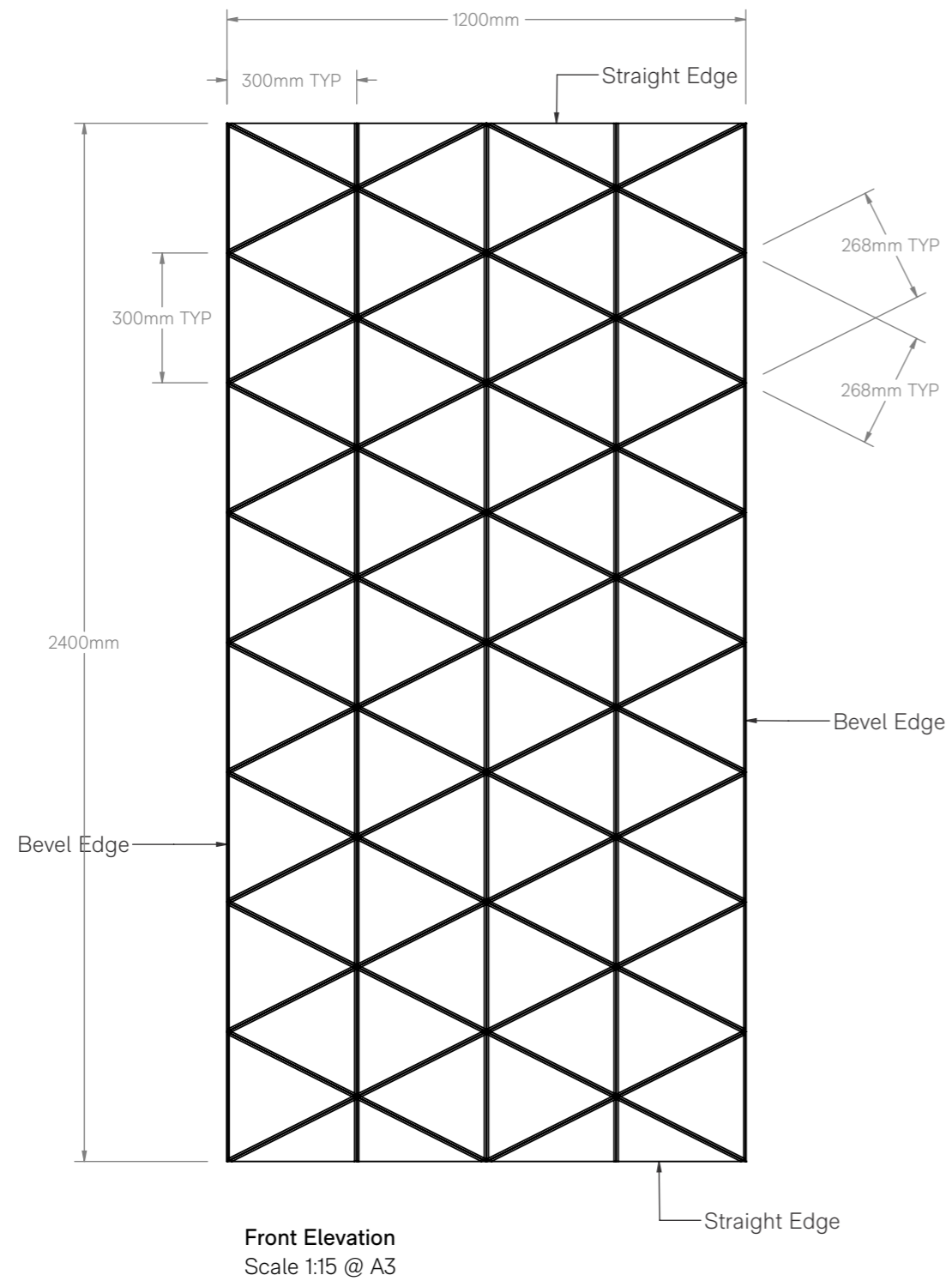


Groove Detail
Scale 2:1 @ A3

Use table below to help determine dimensions above.
Values missing from below table are not recommended

UNLESS OTHERWISE SPECIFIED ALL VEE GROOVES
TO BE 30 DEG, AT 8mm DEEP. AS HIGHLIGHTED ON
TABLE

		ANGLE (deg)			
		12	30	60	90
DEPTH (mm)	1				
	2			2.4	4.1
	3			3.6	6.2
	4			4.8	8.3
	5		2.9	6.0	10.4
	6		3.4	7.2	12.4
	7		4.0	8.4	14.5
	8		4.6	9.6	16.6
	9		5.2	10.8	18.6
	10		5.7	12.0	20.7
	11	2.3	6.3	13.2	22.8
		WIDTH			

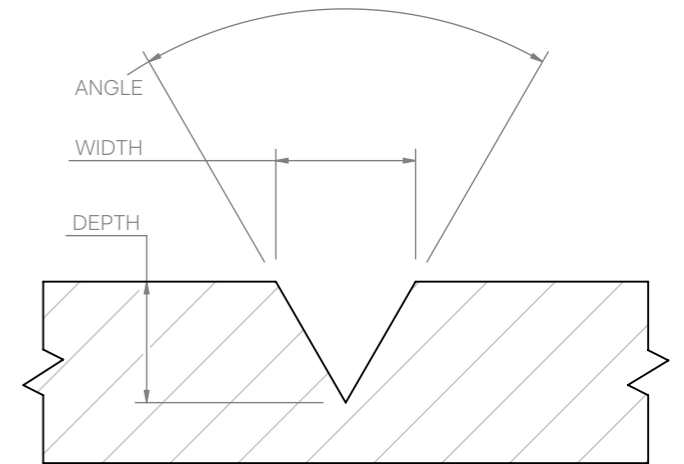
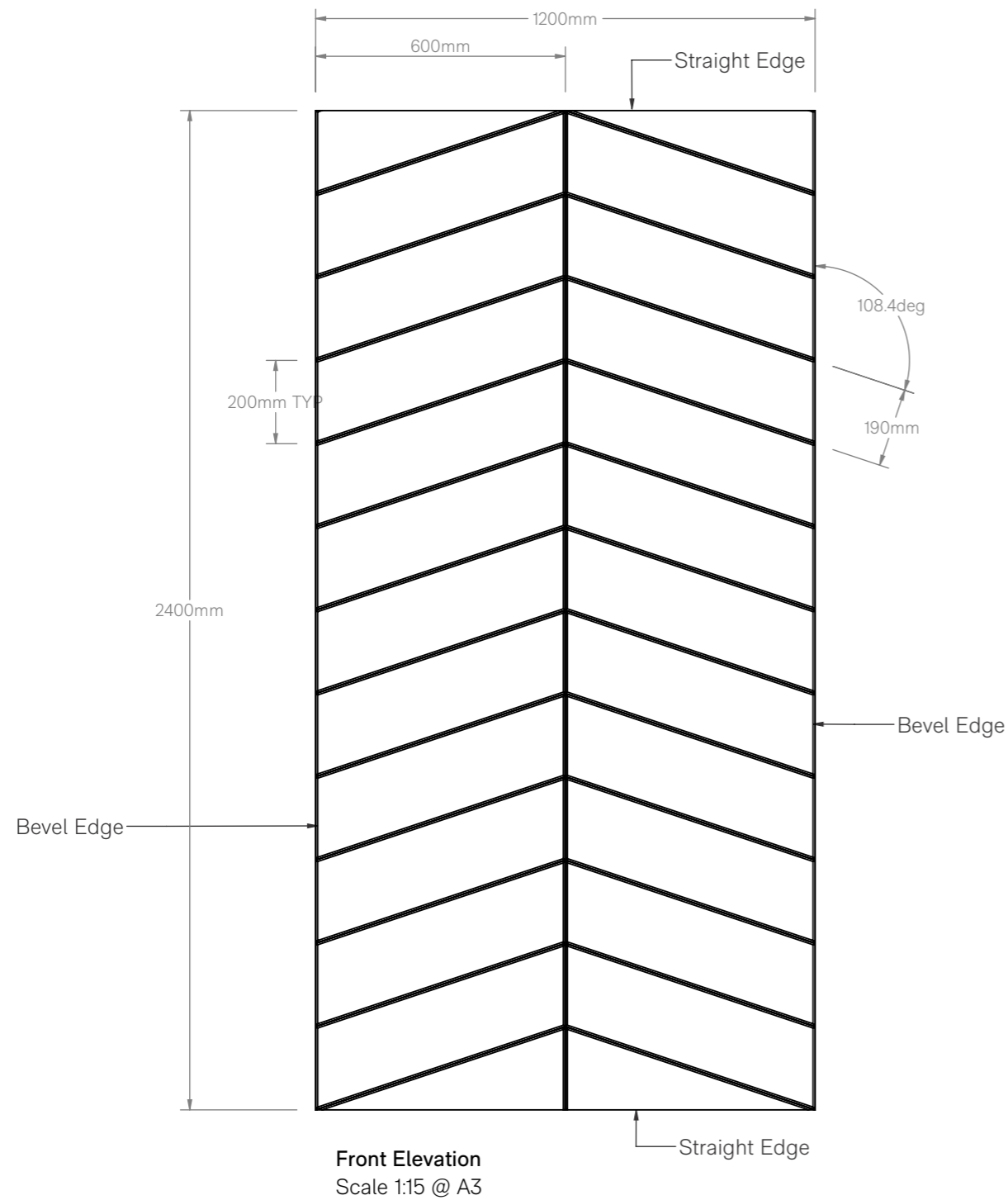


Groove Detail
Scale 2:1 @ A3

Use table below to help determine dimensions above.
Values missing from below table are not recommended

UNLESS OTHERWISE SPECIFIED ALL VEE GROOVES
TO BE 30 DEG, AT 8mm DEEP. AS HIGHLIGHTED ON
TABLE

		ANGLE (deg)			
		12	30	60	90
DEPTH (mm)	1				
	2			2.4	4.1
	3			3.6	6.2
	4			4.8	8.3
	5		2.9	6.0	10.4
	6		3.4	7.2	12.4
	7		4.0	8.4	14.5
	8		4.6	9.6	16.6
	9		5.2	10.8	18.6
	10		5.7	12.0	20.7
	11	2.3	6.3	13.2	22.8
		WIDTH			

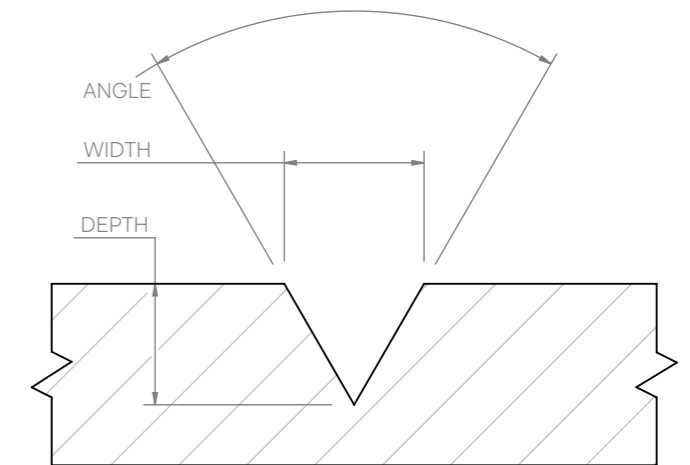
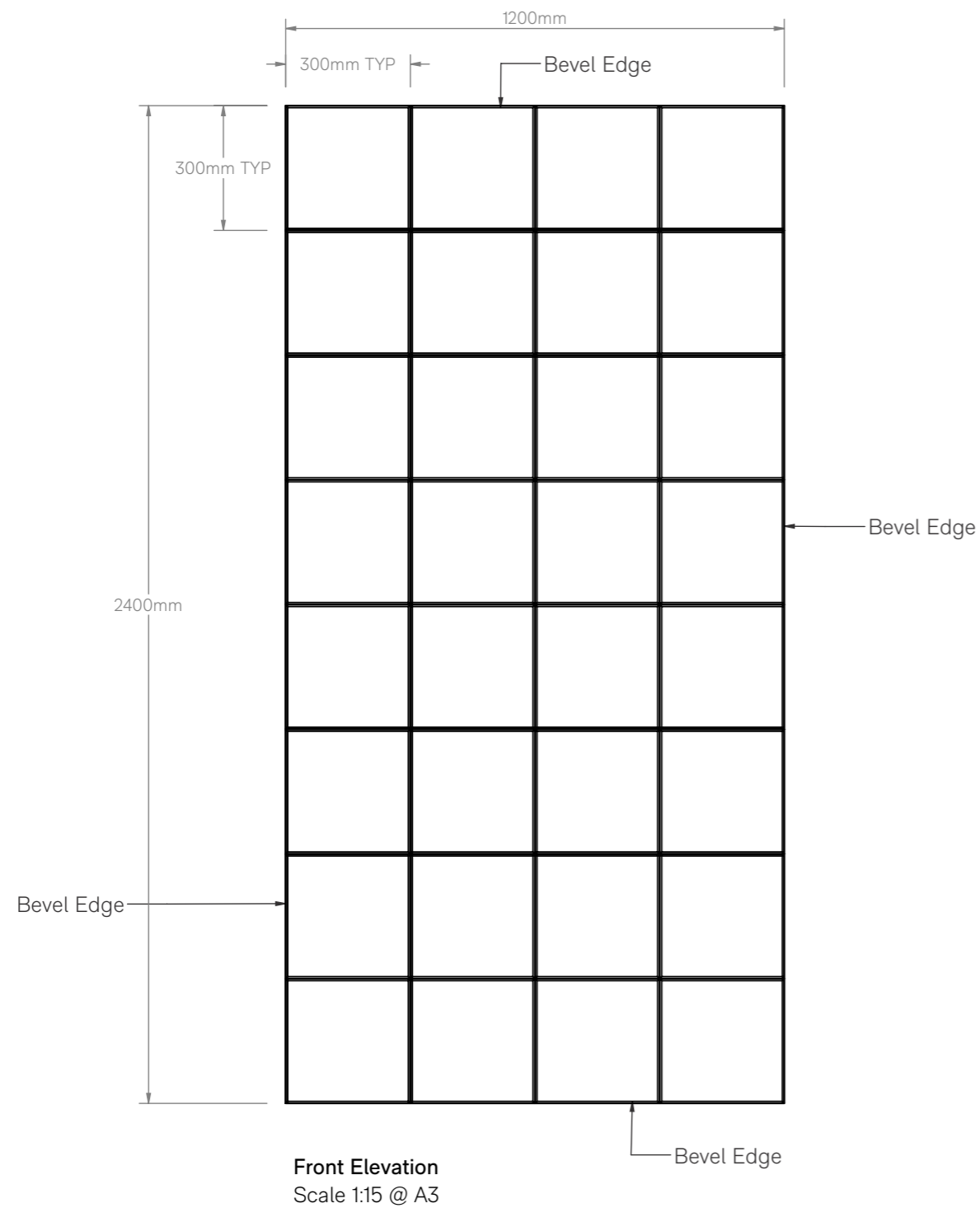


Groove Detail
Scale 2:1 @ A3

Use table below to help determine dimensions above.
Values missing from below table are not recommended

UNLESS OTHERWISE SPECIFIED ALL VEE GROOVES TO BE 30 DEG, AT 8mm DEEP. AS HIGHLIGHTED ON TABLE

		ANGLE (deg)			
		12	30	60	90
DEPTH (mm)	1				
	2			2.4	4.1
	3			3.6	6.2
	4			4.8	8.3
	5		2.9	6.0	10.4
	6		3.4	7.2	12.4
	7		4.0	8.4	14.5
	8		4.6	9.6	16.6
	9		5.2	10.8	18.6
	10		5.7	12.0	20.7
	11	2.3	6.3	13.2	22.8
		WIDTH			



Groove Detail
Scale 2:1 @ A3

Use table below to help determine dimensions above.
Values missing from below table are not recommended

UNLESS OTHERWISE SPECIFIED ALL VEE GROOVES
TO BE 30 DEG, AT 8mm DEEP. AS HIGHLIGHTED ON
TABLE

		ANGLE (deg)			
		12	30	60	90
DEPTH (mm)	1				
	2			2.4	4.1
	3			3.6	6.2
	4			4.8	8.3
	5		2.9	6.0	10.4
	6		3.4	7.2	12.4
	7		4.0	8.4	14.5
	8		4.6	9.6	16.6
	9		5.2	10.8	18.6
	10		5.7	12.0	20.7
	11	2.3	6.3	13.2	22.8
		WIDTH			